

MSL-III-685L/1-25mW



**SINGLE LONGITUDINAL
MODE RED DIODE LASER
AT 685nm**

It features ultra compact design, long lifetime, cost-effectiveness and easy operation. They are used in Raman spectroscopy, speckle interferometry, bio-instrumentation, metrology, sensing, analytical instrumentation.

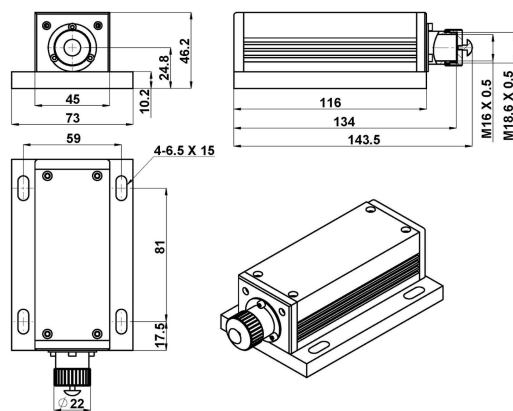


SPECIFICATIONS

Central wavelength (nm)	685±0.5
Operating mode	CW
Output power (mW) ¹	1-25
Power stability (rms, 4 hours ± 3°C)	<2%, <1%, <0.5%
Transverse mode	Near TEM ₀₀
Longitudinal mode	Single
Spectral line width (MHz)	<100, (<50 optional)
Coherent length (m)	>2
M ²	<1.5
Beam diameter at the aperture (1/e ² , mm)	<3
Beam divergence, full angle (mrad)	<1.2
Polarization ratio	>50:1, (>100:1 optional) Horizontal±5 degree (Vertical optional)
Warm-up time (minutes)	<5
Beam height from base plate (mm)	24.8
Operating temperature (°C)	10-35
Power supply (100-240VAC)	PSU-III-FDA
Expected lifetime (hours)	>10000

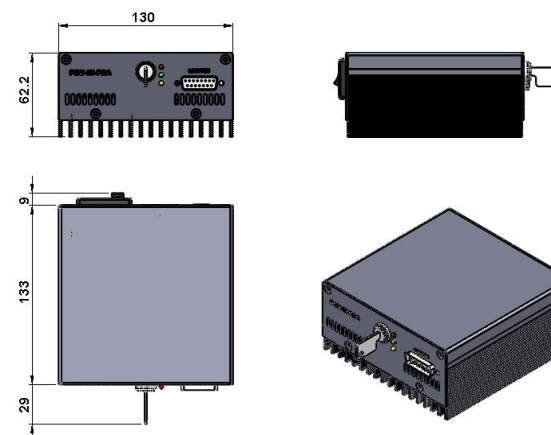


LASER HEAD



143.5 (L) × 73 (W) × 46.2 (H) mm³, 0.7kg

POWER SUPPLY²



171 (L) × 130 (W) × 62.2 (H) mm³, 1.2kg

1 Any power level can be selected in this range.

2 Fixed output power.