



OEM-BD-520/ 11- 20W

GREEN DIODE LASER
At 520nm

OEM diode green laser at 520nm is made features of ultra compact, long lifetime, low cost and easy operating, which is widely used in measurement, spectrum analysis, laser lighting show, etc.

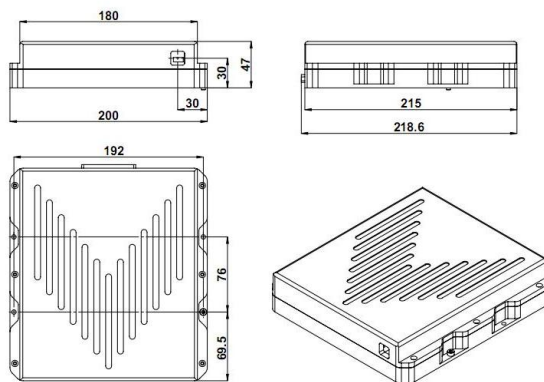


SPECIFICATIONS

Wavelength (nm)	520±5
Output power (W)	11-20
Beam diameter at the aperture (mm)	8.5×7
Beam divergence, full angle (mrad)	~1.2
Power stability (rms, over 4 hours)	<1%, <3%, <5%
Polarization direction	Horizontal+ Vertical
Warm-up time (minutes)	<5
Beam height from base plate (mm)	30
Operating temperature (°C)	25+/-3
Power supply (90-264VACor12V20A,12V30A&24V15A)	PSU-PN7-OEM-H
Modulation option	TTL/Analog 1Hz-5KHz, 1Hz-10KHz, 1Hz-100KHz, and TTL on/off
Expected lifetime (hours)	10000
Warranty	1 year

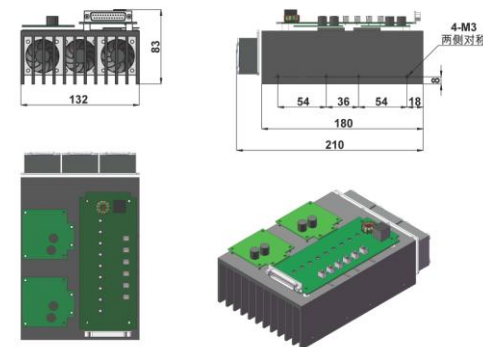


Dimensions of Laser head



OEM-BD-520
218.5 (L)×200 (W)×47(H)mm³

Power Supply

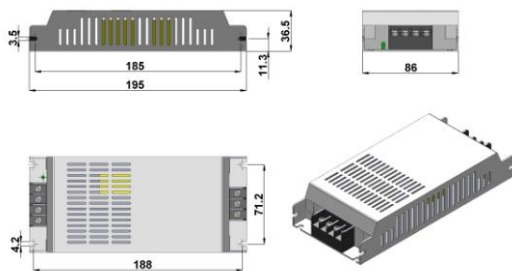


PSU-PN7-OEM-H
210(L)×132(W)×83(H)mm³



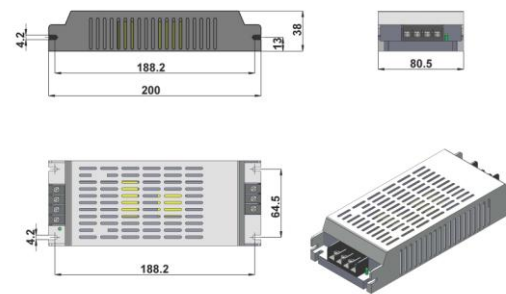
Adapter

Adapter



12V30A

195(L)×86(W)×36.5(H)mm³



24V15A

200(L)×80.5(W)×38(H)mm³