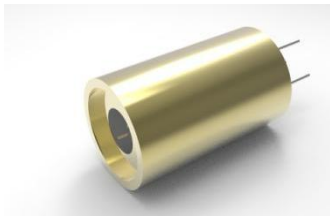


PGL-D12-445/447/450



PGL-D12-445/447/450 is made features of wide temperature range operating (without TEC), high reliability and low cost, which made it be used widely in orientation, alignment and measurement, etc.

SYSTEM SPECIFICATIONS*

Wavelength	nm	445	447	450
Wavelength tolerance	nm	±10	±10	±10
Output power	mW	1-50		
Operating mode		CW		
Transverse mode		Near TEM ₀₀		
Beam diameter at the aperture(1/e ²)	mm	~3.5		
Beam divergence, full angle	mrad	<1		
Expected lifetime	hours	10000		
Warranty	years	1		

ELECTRICAL SPECIFICATIONS

Operating voltage(external PCB1)	6VDC(TTL10kHz, optional)
Operating voltage(external PCB2)	5VDC(TTL30kHz or Analog0-3V,0-5V, optional)
Operating voltage(external PCB3)	5-12VDC(TTL30Khz and Analog 0-3V,0-5V, optional)
Connection	Cable with flying leads

ENVIRONMENTAL CONDITIONS

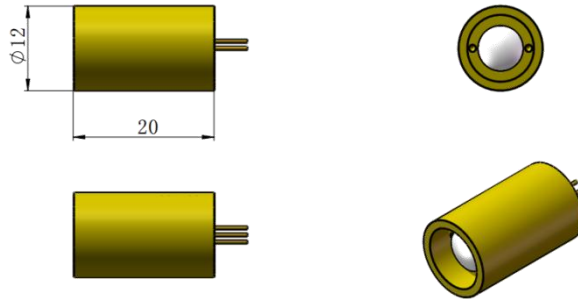
Operating temperature	0°C to 40°C
Storage temperature	-20°C to 80°C
Humidity	<90 %, non-condensing
Dissipated heat	<1.8W

MECHANICAL SPECIFICATIONS

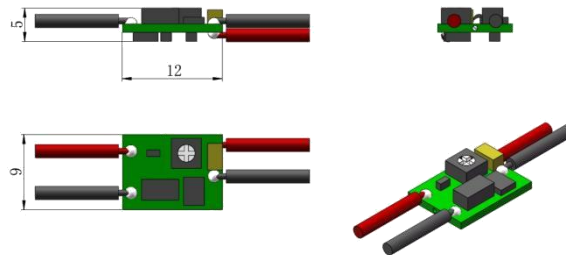
Laser head diameter Φ	mm	12
Length	mm	20
Material		Copper
Shell polarity		The housing is isolated.

*All testing data under the conditions of temperature 25°C.

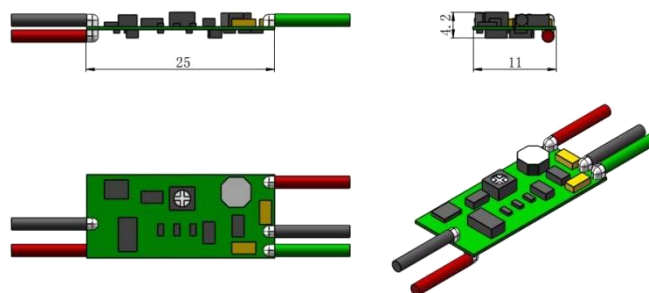
Dimensions of laser($\Phi 12 \times 20 \text{mm}^2$)



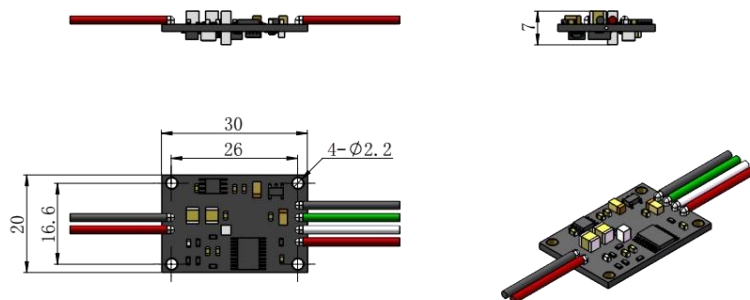
Dimensions of PCB1(*small size*, $9 \times 12 \text{mm}^2$, 6VDC, TTL)



Dimensions of PCB2($25 \times 11 \text{mm}^2$, 5VDC, TTL or Analog)



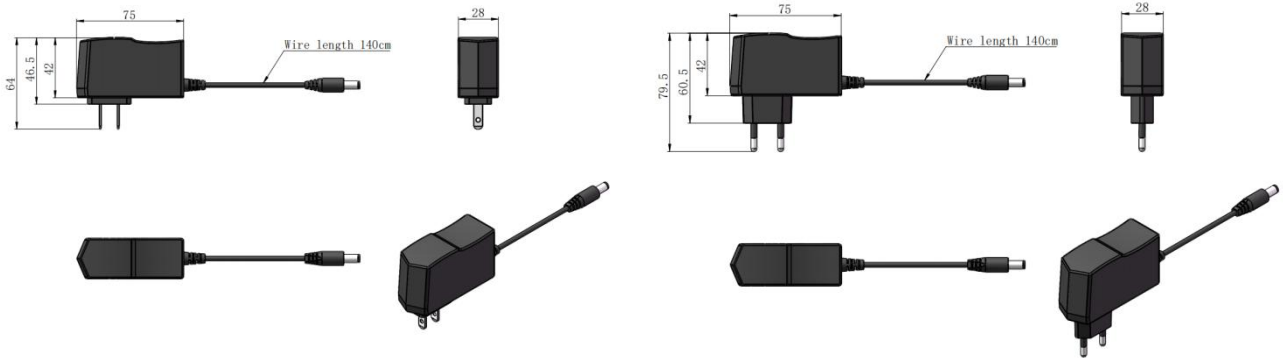
Dimensions of PCB3(*wide voltage input range*, $20 \times 30 \text{mm}^2$, 5-12VDC, TTL and Analog)



AD-6V 1A POWER ADAPTER

Input	100-240VAC 50-60Hz
Output	DC 6V 1A

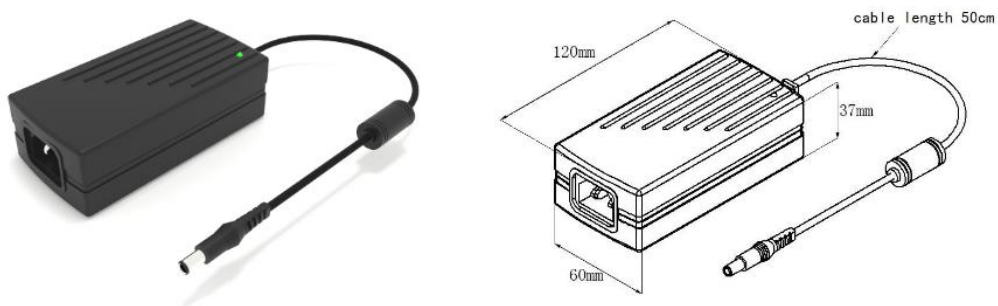
Dimensions of power adapter (mm):



AD-5V 5A POWER ADAPTER

Input	85-264VAC 47/63Hz
Output	DC 5V 5A

Dimensions of power adapter (mm):



AD-12V 3.34A POWER ADAPTER

Input	100-240VAC 50/60Hz
Output	DC 12V 3.34A

Dimensions of power adapter (mm):

