

PGL-D8-445/447/450



PGL-D8-445/447/450 laser module is made features of wide temperature range operating(without TEC), high reliability and low cost, which made it be used widely in orientation, alignment and measurement, etc.

SYSTEM SPECIFICATIONS*

Wavelength	nm	445	447	450
Wavelength tolerance	nm	±10	±10	±10
Output power	mW	1-30		
Operating mode		CW		
Transverse mode		Near TEM ₀₀		
Beam diameter at the aperture(1/e ²)	mm	~3.5		
Beam divergence, full angle	mrad	<1		
Expected lifetime	hours	10000		
Warranty	years	1		

ELECTRICAL SPECIFICATIONS

Operating voltage(external PCB1)	6VDC(TTL10kHz, optional)
Operating voltage(external PCB2)	5VDC(TTL30kHz or Analog 0-3V,0-5V, optional)
Operating voltage(external PCB3)	5-12VDC(TTL30kHz and Analog 0-3V,0-5V, optional)
Connection	Cable with flying leads

ENVIRONMENTAL CONDITIONS

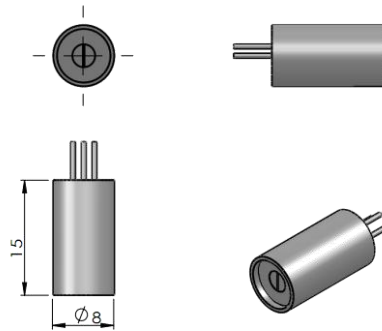
Operating temperature	0°C to 40°C
Storage temperature	-20°C to 80°C
Humidity	< 90%, non-condensing
Dissipated heat	< 1.8W

MECHANICAL SPECIFICATIONS

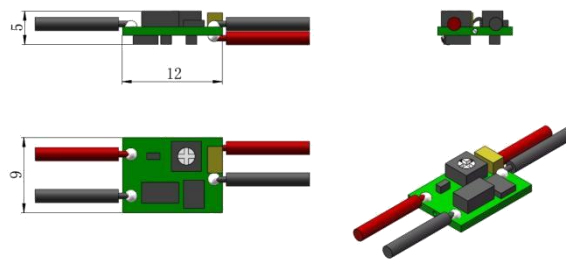
Laser head diameter Φ	mm	8
Length	mm	15
Material	Aluminum	
Shell polarity	The housing is isolated.	

*All testing data under the conditions of temperature 25°C.

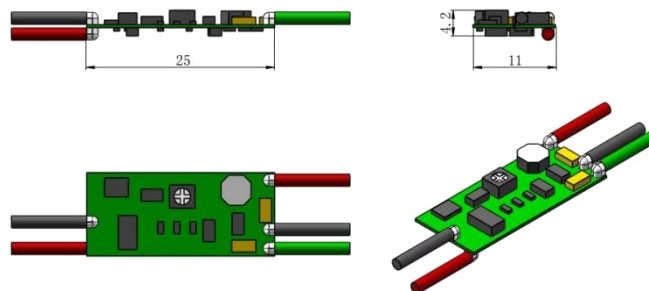
Dimensions of laser($\Phi 8 \times 15 \text{mm}^2$)



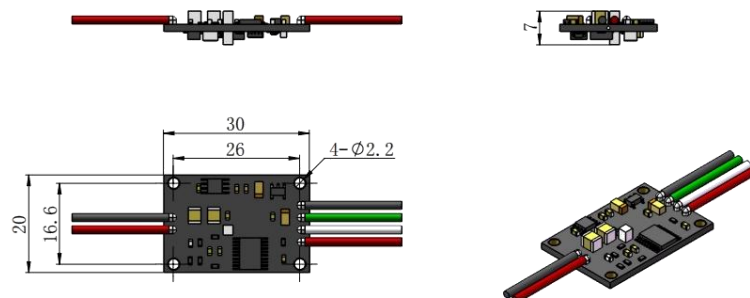
Dimensions of PCB1(*small size*, $9 \times 12 \text{mm}^2$, 6V, TTL)



Dimensions of PCB2($11 \times 25 \text{mm}^2$, DC5V, TTL or Analog)



Dimensions of PCB3($20 \times 30 \text{mm}^2$, DC5-12V, TTL and Analog)

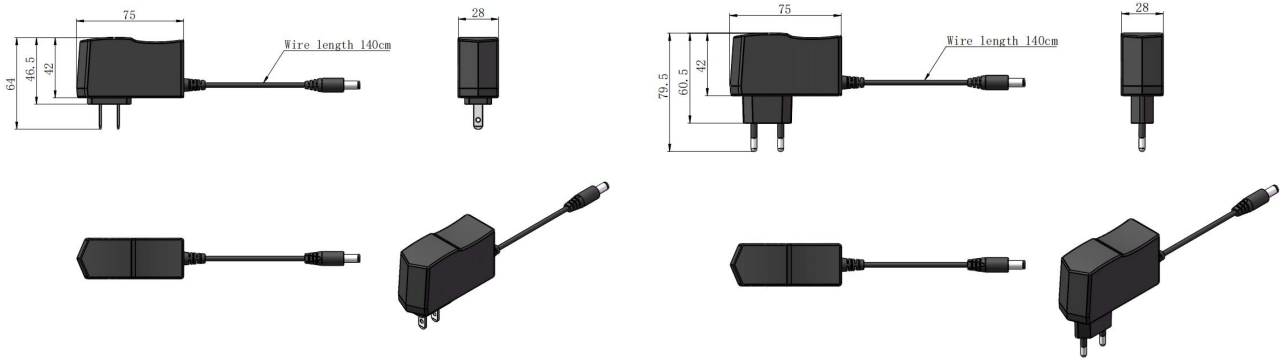


AD-6V 1A POWER ADAPTER

Input 100-240VAC 50-60Hz

Output DC 6V 1A

Dimensions of power adapter (mm):

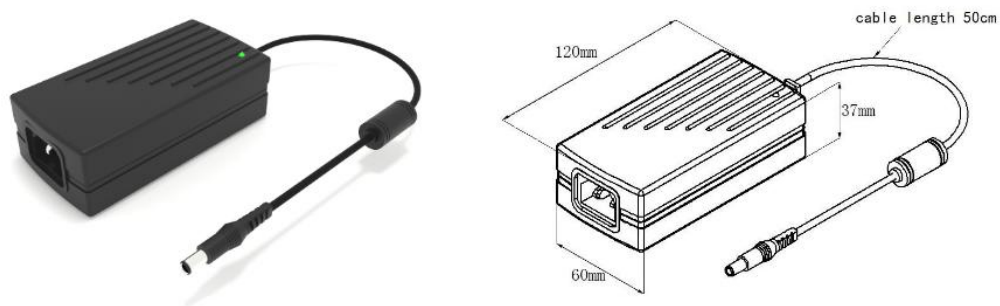


AD-5V 5A POWER ADAPTER

Input 85-264VAC 47/63Hz

Output DC 5V 5A

Dimensions of power adapter (mm):



AD-12V 3.34A POWER ADAPTER

Input 100-240VAC 50/60Hz

Output DC 12V 3.34A

Dimensions of power adapter (mm):

