



PGL-FS-445/447/450



Diode blue laser module is made features of ultra compact, long lifetime, low cost and easy operating, which made it be used widely in laser pointing, show and light applications. High quality beam properties make it useful in RGB mixed laser systems.

SYSTEM SPECIFICATIONS*

Wavelength	nm	445	447	450
Wavelength tolerance	nm	±10	±10	±10
Output power	mW	1-80		
Power stability(rms, over 4 hours)		<5%, <3%, <1%		
Operating mode		CW		
Transverse mode		Near TEM ₀₀		
Beam diameter at the aperture(1/e ²)	mm	~4.5		
Beam divergence, full angle	mrad	<1		
Warm-up time	minutes	<10		
Beam height from base plate	mm	15		
Expected lifetime	hours	10000		
Warranty	years	1		

ELECTRICAL SPECIFICATIONS

Operating voltage(PSU-V-OEM)	100-240VAC
Operating voltage(PSU-I-OEM)	12VDC
Modulation optional	TTL30kHz and Analog 0-5V
Connection	9 pin connector

ENVIRONMENTAL CONDITIONS

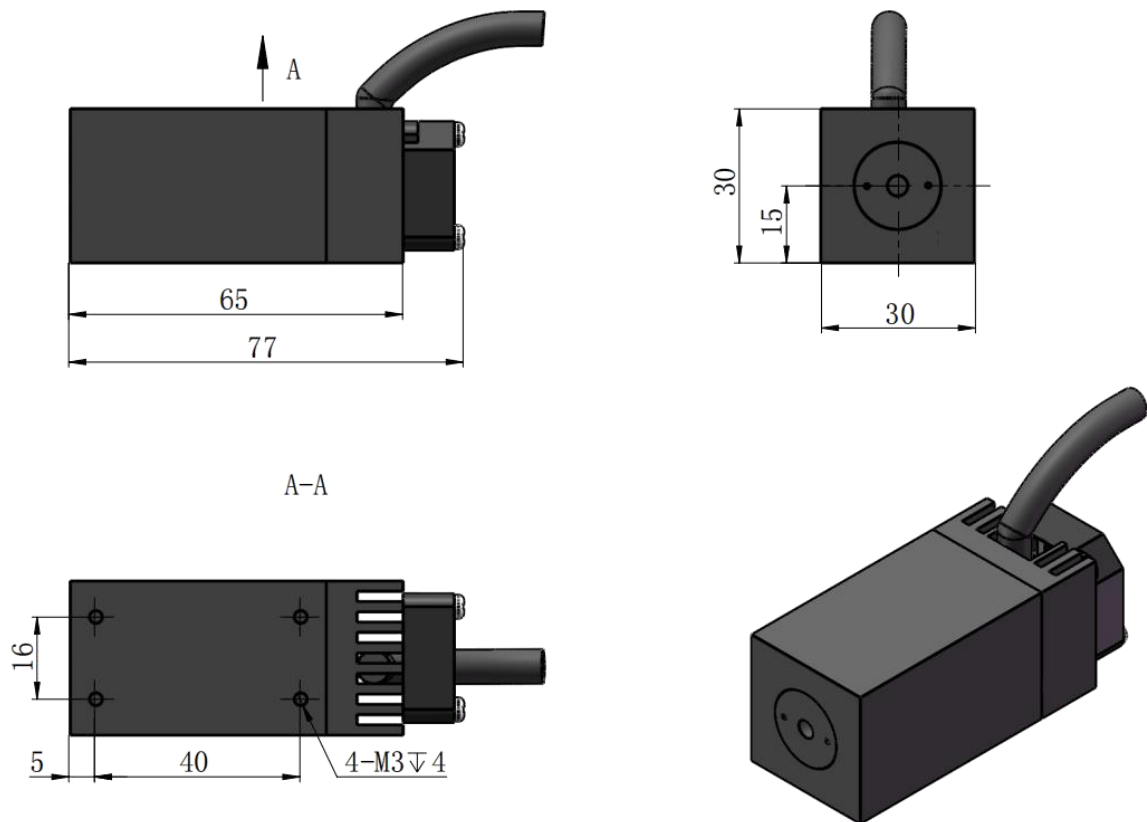
Operating temperature	-10°C to 50°C
Storage temperature	-20°C to 80°C
Humidity	< 90%, non-condensing

MECHANICAL SPECIFICATIONS

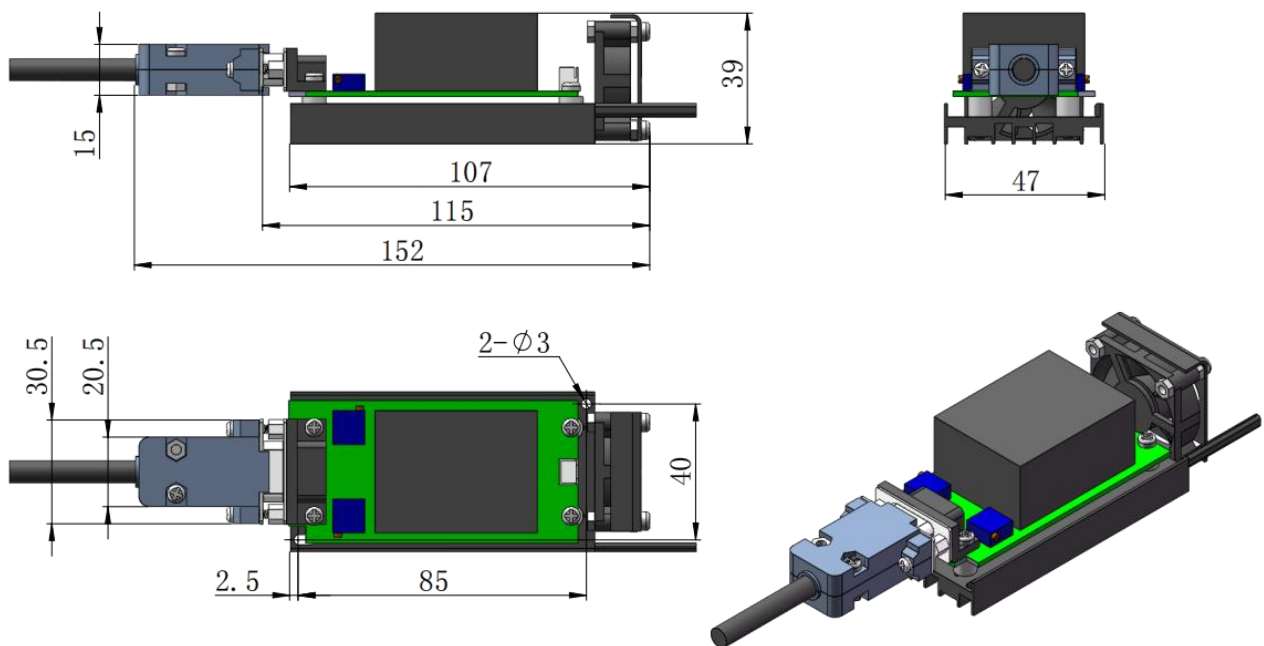
Dimensions of laser head	77(L)×30(W)×30(H)mm ³
Material	Aluminum

*All testing data under the conditions of temperature 25°C.

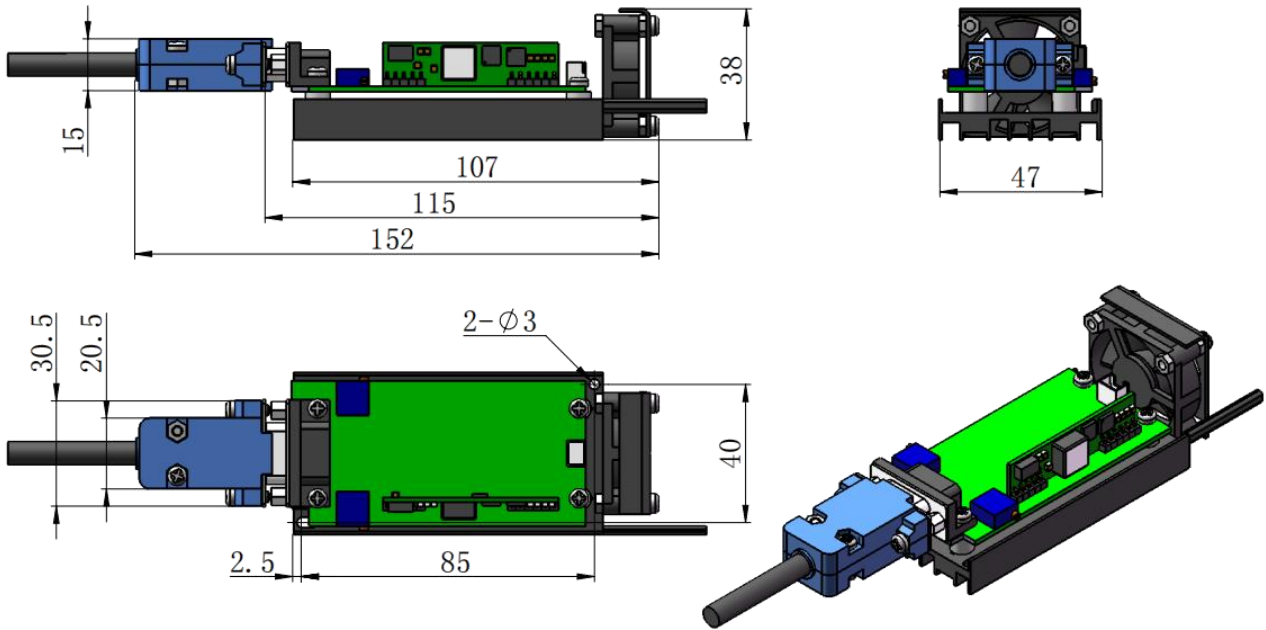
Dimensions of laser head(77×30×30mm³)



Dimensions of PSU-V-OEM power supply
(107×47×39mm³, 100-240VAC, TTL 30kHz and Analog 0-5V)



Dimensions of PSU-I-OEM power supply(107×47×38mm³, 12VDC, TTL 30kHz and Analog 0-5V)



Dimensions of PSU-V-OEM and PSU-I-OEM power supply with dust cover(110×70×47mm³)

