



中国长春新产业光电技术有限公司
Changchun New Industries Optoelectronics Tech. Co., Ltd

PGL-VI-445/447/450



PGL-VI high power blue laser module at 445,447 and 450nm is made features of small size, high output power, long lifetime, which made it be used widely in collimation, laser medical treatment, scientific experiment, optical instrument and so on.

SYSTEM SPECIFICATIONS*

Wavelength	nm	445	447	450
Wavelength tolerance	nm	±10	±10	±10
Output power	mW	1-80		
Operating mode		CW		
Transverse mode		Near TEM ₀₀		
Beam diameter at the aperture(1/e ²)	mm	~3.5		
Beam divergence, full angle	mrad	<1		
Expected lifetime	hours	10000		
Warranty	years	1		

Focus adjustable laser is optional.

ELECTRICAL SPECIFICATIONS

Operating voltage(internal PCB)	6VDC(TTL10kHz, optional)
Operating voltage(external PCB1)	5VDC(TTL30kHz or Analog0-3V,0-5V, optional)
Operating voltage(external PCB2)	5-12VDC(TTL30kHz and Analog 0-3V,0-5V, optional)
Connection	Cable with flying leads

ENVIRONMENTAL CONDITIONS

Operating temperature	0°C to 40°C
Storage temperature	-20°C to 80°C
Humidity	<90%, non-condensing
Dissipated heat	<2W

MECHANICAL SPECIFICATIONS

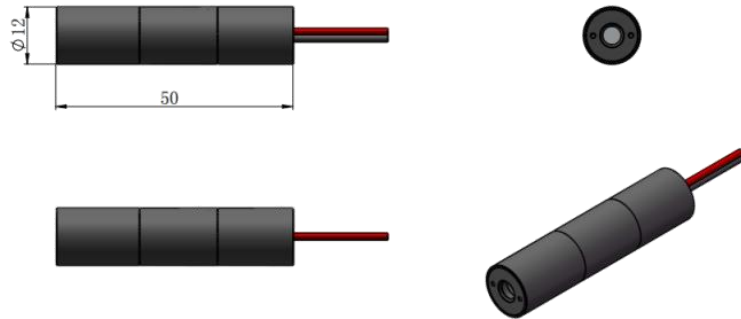
Laser head diameter Φ	mm	12
Length	mm	50
Material	Aluminum	
Shell polarity	The housing is isolated.	

*All testing data under the conditions of temperature 25°C.

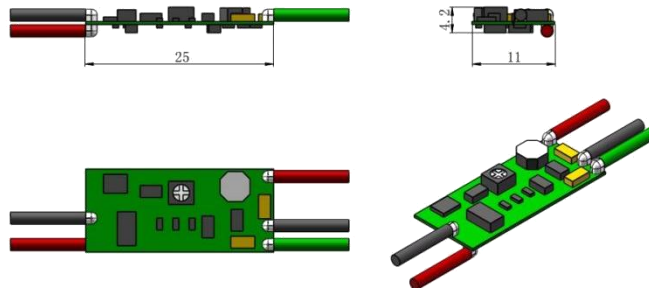


中国长春新产业光电技术有限公司
Changchun New Industries Optoelectronics Tech. Co., Ltd

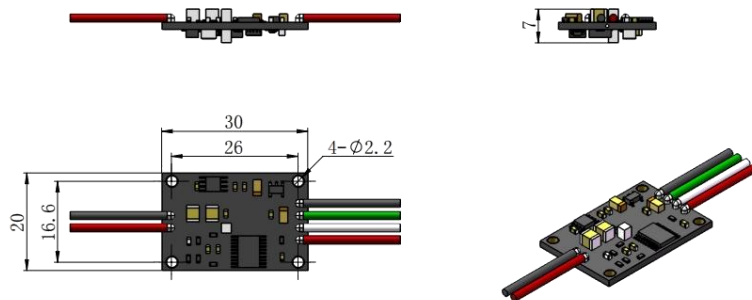
Dimensions of laser (Internal PCB, $\Phi 12 \times 50 \text{mm}^2$, 6VDC, TTL)



Dimensions of external PCB1 ($11 \times 25 \text{mm}^2$, 5VDC, TTL or Analog)



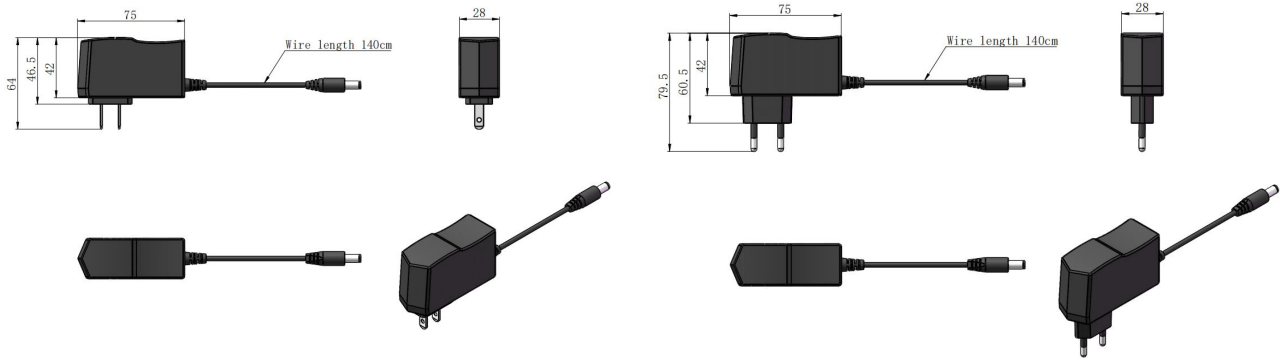
Dimensions of external PCB2 (*wide voltage input range*, $20 \times 30 \text{mm}^2$, 5-12VDC, TTL and Analog)



AD-6V 1A POWER ADAPTER

Input	100-240VAC 50-60Hz
Output	DC 6V 1A

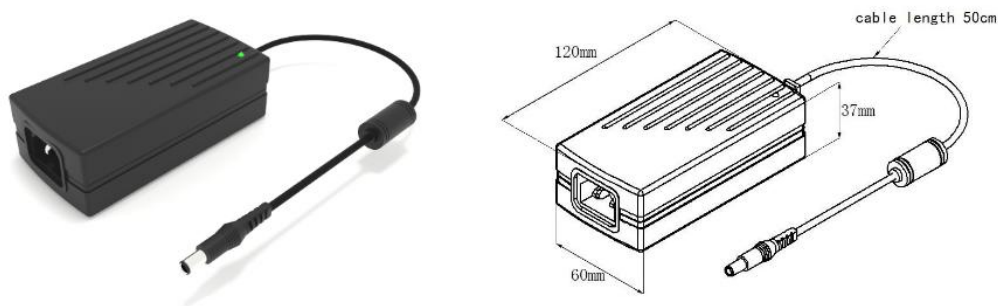
Dimensions of power adapter (mm):



AD-5V 5A POWER ADAPTER

Input	85-264VAC 47/63Hz
Output	DC 5V 5A

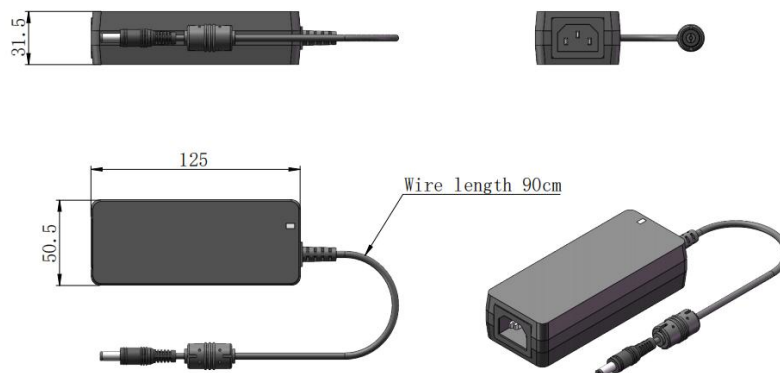
Dimensions of power adapter (mm):



AD-12V 3.34A POWER ADAPTER

Input	100-240VAC 50/60Hz
Output	DC 12V 3.34A

Dimensions of power adapter (mm):





MODULE MOUNTING SPECIFICATIONS

Model type		MMU-12
Module mounting size	mm	30 x 25 x 18mm
Applicable models size \varnothing	mm	12mm
Through-hole \varnothing	mm	3mm
Through-hole distance	mm	25 x 18mm

Dimensions of module mounting (mm):

