

TEM-F-447/1-50mW



**BLUE DIODE LASER
AT 447nm**

It features TEM₀₀ mode, ultra compact design, long lifetime, cost-effectiveness and easy operation. They are used in measurement, communication, spectrum analysis, etc.

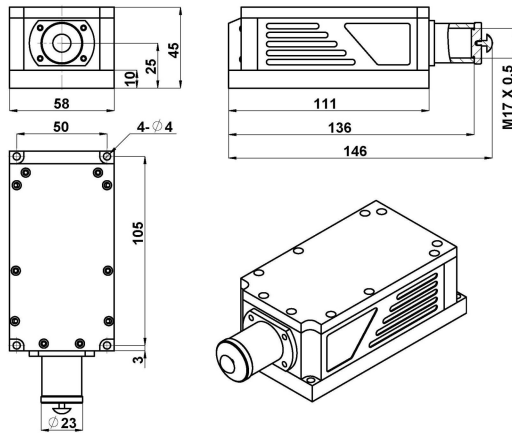


SPECIFICATIONS

| | |
|---|--|
| Central wavelength (nm) | 447±10 |
| Operating mode | CW |
| Output power (mW) ¹ | 1-50 |
| Power stability (rms, 4 hours ± 3°C) | <2%, <1%, <0.5% |
| Transverse mode | TEM ₀₀ |
| Ellipticity | >0.95 |
| M ² | <1.1 |
| Beam diameter at the aperture (1/e ² , mm) | ~1.0 |
| Beam divergence, full angle (mrad) | <1.5 |
| Warm-up time (minutes) | <5 |
| Beam height from base plate (mm) | 25 |
| Operating temperature (°C) | 25±3 |
| Power supply (100-240VAC) | PSU-III-FDA/PSU-III-LED/PSU-A-D |
| Modulation option | DC-1kHz, 1kHz-10kHz, 10kHz-30kHz, 30kHz-100kHz optional; TTL and Analog optional |
| Expected lifetime (hours) | >10000 |

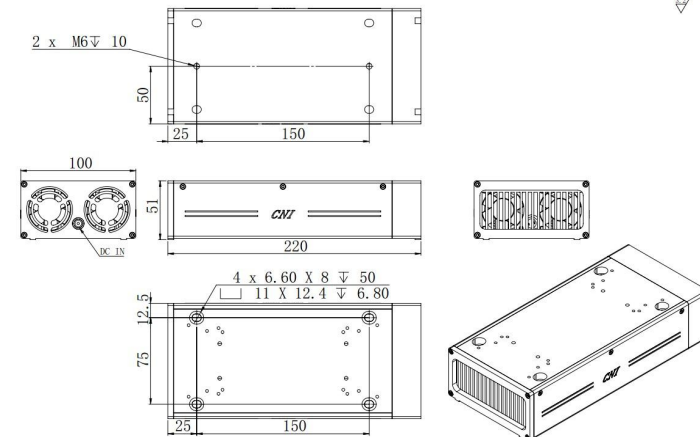


LASER HEAD²



146 (L) × 58 (W) × 45 (H) mm³, 0.7kg

HEATSINK (TC-06) optional



220 (L) × 100 (W) × 51 (H) mm³, 0.6kg

| POWER SUPPLY (PSU-III-FDA) ³ | POWER SUPPLY (PSU-III-LED) ⁴ | POWER SUPPLY (PSU-A-D) ⁵ |
|---|---|---|
| <p>171 (L) × 130 (W) × 62.2 (H) mm³, 1.2kg</p> | <p>179 (L) × 155 (W) × 92 (H) mm³, 1.5kg</p> | <p>162 (L) × 144 (W) × 70 (H) mm³, 1.0kg</p> |

- 1 Any power level can be selected in this range.
- 2 The laser head needs to be used on a heat sink with good heat dissipation.
- 3 Fixed output power; Modulation up to 30kHz.
- 4 Output power adjustable 10-100%; RS232 control optional; Modulation up to 30kHz.
- 5 Output power adjustable 10-100%; RS232 control optional; Modulation up to 100kHz.