

YL-I-638/ 525/ 450/ 980/ 808-71W

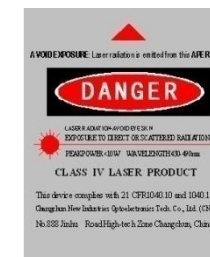
DIODE LASER AT 638/ 525/ 450/ 980/ 808nm

Diode laser 638/ 525/ 450/ 980/ 808nm is made features of ultra compact, long lifetime, low cost and easy operating. It's easy to be installed in customer's equipment.



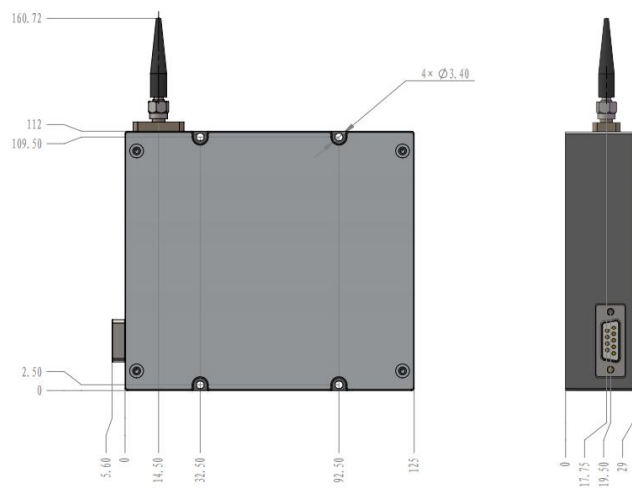
SPECIFICATIONS

Wavelength (nm)	638±10	525±10	450±10	980±10	808±10
Output power (W) @ after 200um fiber	0.4	3.9	4	30	33
Fiber Core Diameter (um)	200, 400				
Fiber Connector	SMA905				
Numerical Aperture (NA)	0.22				
Operation voltage (V)	2.3	13.8	4.3	4.65	5.4
Operation current (A)	1.1	1.9	3	13	12
Operation temperature (°C)	15-35				
Storage temperature (°C)	-20-50				



The power ratio can be customized

Dimensions of Laser head



167.72 (L)×125 (W)×30.5 (H)mm³

Radiator (Option)	Power supply (Option)	Power supply (Option)
<p style="text-align: center;">160 (L)×130 (W)×97.5 (H)mm³</p>	<p style="text-align: center;">264 (L)×120 (W)×30 (H)mm³</p>	<p style="text-align: center;">289 (L)×145 (W)×70 (H)mm³</p>