

YL-I-638/ 808/ 980 15W

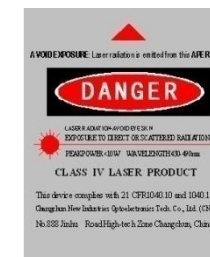
DIODE LASER AT 638/ 808/ 980nm

Diode laser 638/ 808/ 980nm is made features of ultra compact, long lifetime, low cost and easy operating. It's easy to be installed in customer's equipment.



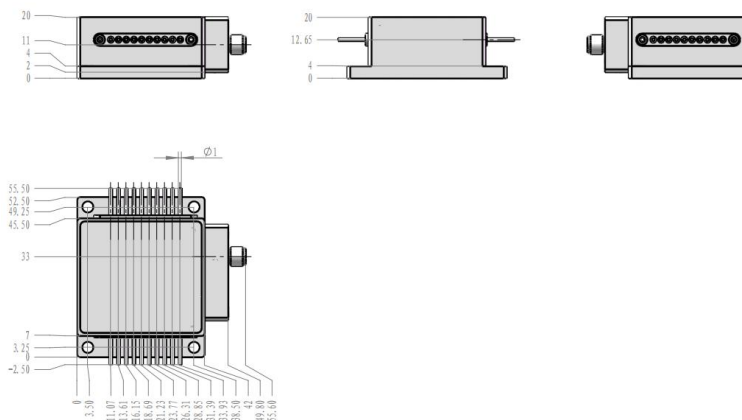
SPECIFICATIONS

Wavelength (nm)	638±10	808±10	980±10
Output power (W) @ after 200um fiber	0.4	5	10
Fiber Core Diameter (um)	200, 400		
Fiber Connector	SMA905		
Numerical Aperture (NA)	0.22		
Operation voltage (V)	2.3	1.8	1.55
Operation current (A)	1.2	12	13
Operation temperature (°C)	15-35		
Storage temperature (°C)	-20-50		



The power ratio can be customized

Dimensions of Laser head



55.6 (L)×55.5 (W)×20 (H)mm³

Radiator (Option)	Power supply (Option)	Power supply (Option)
<p style="text-align: center;">160 (L)×130 (W)×87 (H)mm³</p>	<p style="text-align: center;">264 (L)×120 (W)×30 (H)mm³</p>	<p style="text-align: center;">289 (L)×145 (W)×70 (H)mm³</p>